

LED Tail Light and Safety Light - Model 225

PRODUCT INFORMATION

Description	12-24V ECE/SAE LED Stop, Tail & Turn Signal Light
Height	119.38 mm / 4.7 in
Width	175.26 mm / 6.9 in
Depth	27.94 mm / 1.1 in
Shape	Rectangular
Outer Lens Material	Polycarbonate
Outer Lens Color	Amber
Housing Material	Polycarbonate
Housing Color	Black
Bezel Color	N/A
Mounting Hardware Description	(x2) #8-15 x 1-3/4" Stainless Steel Screw
Minimum Operating Temperature	-40 °C / -40 °F
Maximum Operating Temperature	65 °C / 149 °F
Connector or Wiring	Deutsch DT04-4P
Mating Connector	Deutsch DT06-4S
Product Weight	0.89 lbs / 0.4 kgs
Shipping Weight	1.40 lbs / 0.64 kgs



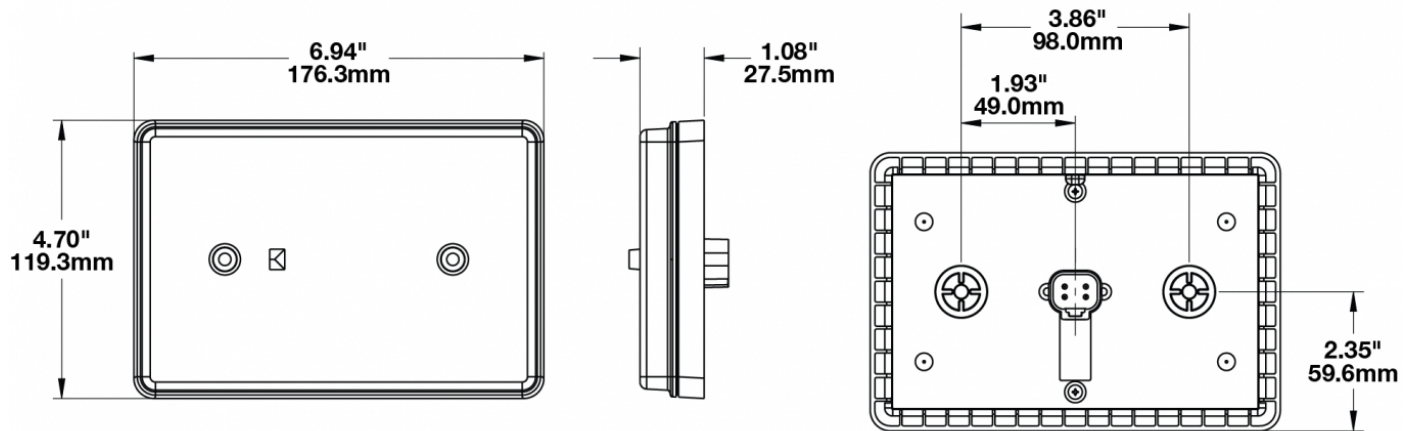
Print date: 2024-08-11

© 2024 J.W. Speaker Corporation • Germantown, WI U.S.A.
www.jwspeaker.com • speaker@jwspeaker.com • 262.251.6660

J.W. SPEAKER 
Engineered. Lighting. Solutions.

LED Tail Light and Safety Light - Model 225

PRODUCT DIMENSIONS



ELECTRICAL SPECIFICATIONS

Input Voltage	12-24V DC
Operating Voltage	10-32V DC
Transient Spike Protection	330V Peak @ 1 HZ-100 Pulses
Black Wire	Ground
Red Wire	Stop
White Wire	Tail
Yellow Wire	Turn
Current Draw	1.40A @ 12V DC 0.86A @ 24V DC

Print date: 2024-08-11

© 2024 J.W. Speaker Corporation • Germantown, WI U.S.A.
www.jwspeaker.com • speaker@jwspeaker.com • 262.251.6660

LED Tail Light and Safety Light - Model 225

REGULATORY STANDARDS COMPLIANCE



Buy America Standards
ECE Reg 7
IEC IP67

ECE Reg 6
Eco Friendly
IEC IP69K

PHOTOMETRIC SPECIFICATIONS

Beam Pattern(s) Signalization - Stop
 Signalization - Tail
 Signalization - Turn (Front)
 Signalization - Turn (Rear)

APPLICATIONS



PRODUCT WARNINGS

For California residents:

⚠️ **WARNING:** Cancer and reproductive harm - www.P65Warnings.ca.gov.

⚠️ **AVERTISSEMENT:** Cancer et effet nocif sur la reproduction - www.P65Warnings.ca.gov.

Print date: 2024-08-11

© 2024 J.W. Speaker Corporation • Germantown, WI U.S.A.
www.jwspeaker.com • speaker@jwspeaker.com • 262.251.6660